

## TOWER SLOPE

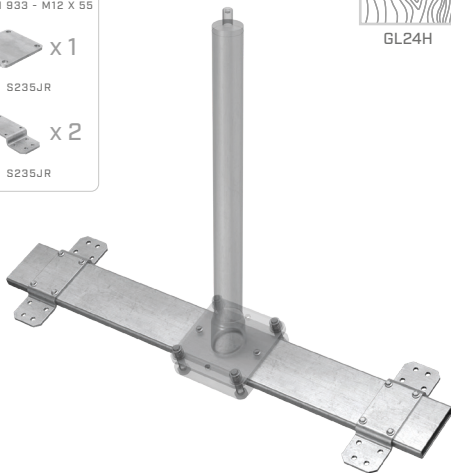
### INSTALLATION MANUAL



INCLUDED IN THE PACKAGE



GL24H



TOWER22 + TOWER SLOPE

EN  
795:2012  
A+C

CEN/TS  
16415:2013

UNI  
11578:2015  
A+C

## ■ TOOLS



## ■ PRODUCT INFORMATION



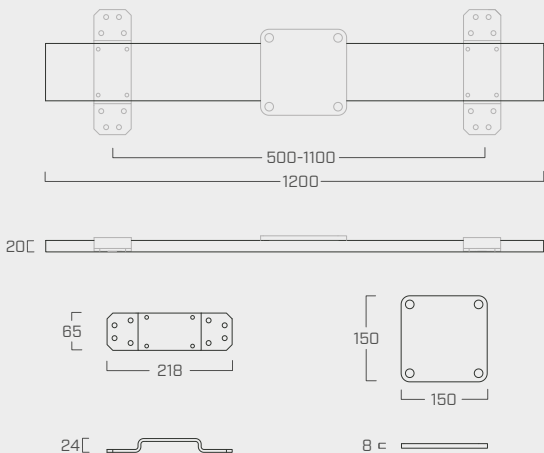
### TOWER22 + TOWER SLOPE

EN  
795:2012  
A+C

CEN/TS  
16415:2013

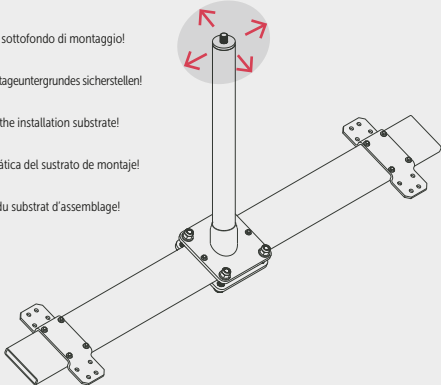
UNI  
11578:2015  
A+C

## ■ TOWER SLOPE DIMENSIONS

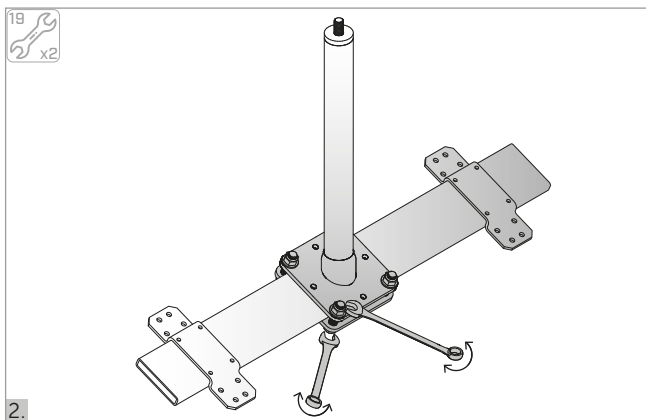
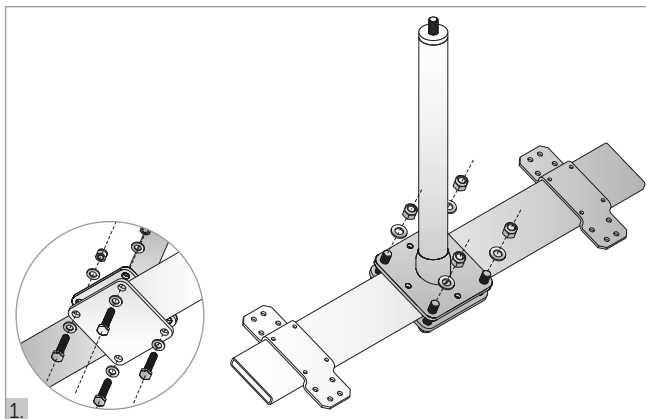


## ■ LOAD TEST MODEL TOWER22 + TOWERSLOPE

- IT ⚠ Verificare idoneità statica del sottofondo di montaggio!
- DE ⚠ Die statische Eignung des Montageuntergrundes sicherstellen!
- EN ⚠ Check the static suitability of the installation substrate!
- ES ⚠ ¡Compruebe la idoneidad estática del sustrato de montaje!
- FR ⚠ Vérifier l'adéquation statique du substrat d'assemblage!



## TOWER SLOPE TOWER22 INSTALLATION



## TOWER SLOPE WOOD SUBSTRUCTURE



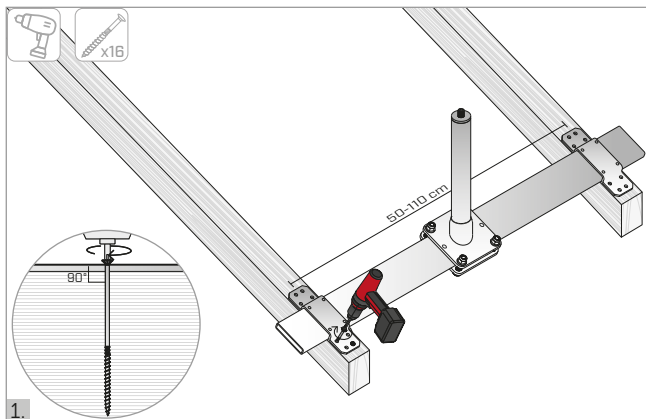
GL24H



HBS

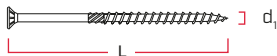
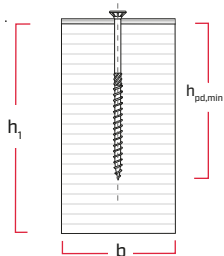


Nm

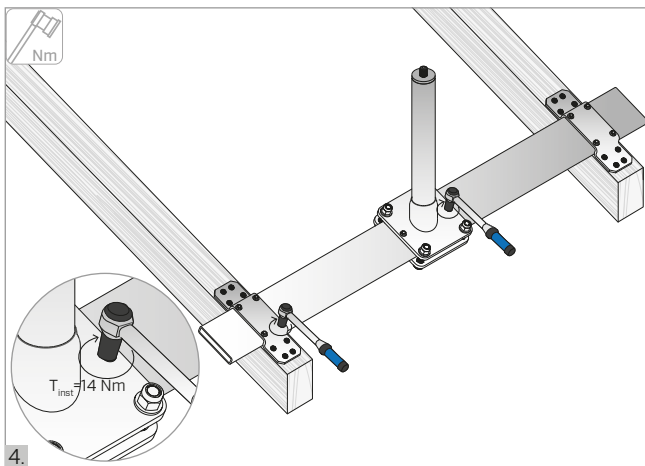
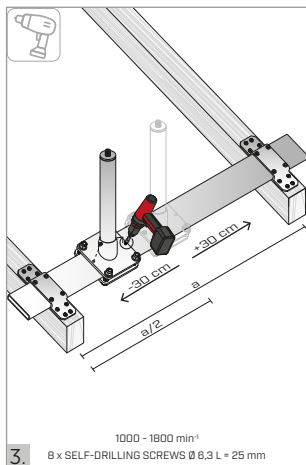
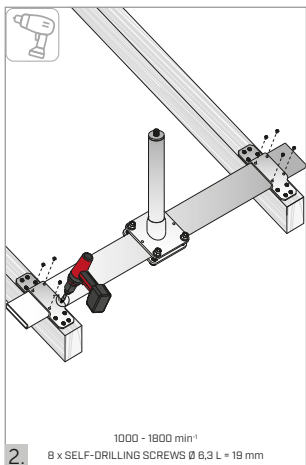


1.

HBS 8 x L mm



$d_1$	=	8 mm	$h_{pd,min}$	≥	80 mm
$h_1$	≥	100 mm	$h_1$	≥	$h_{pd,min}$
$b$	≥	100 mm	$L$	≥	100 mm



**TOWER SLOPE**  
SUBSTRUCTURE WITH INSULATING  
PANEL



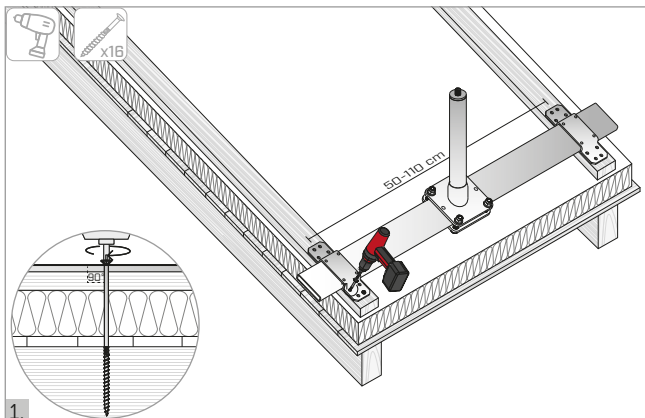
GL24H



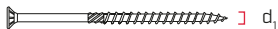
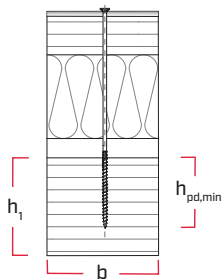
x16  
HBS



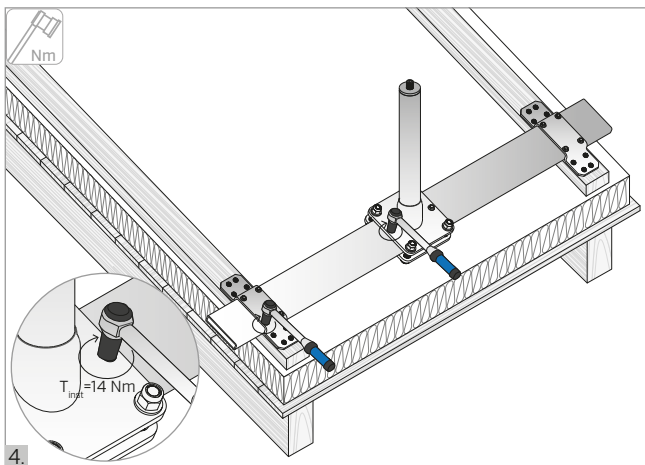
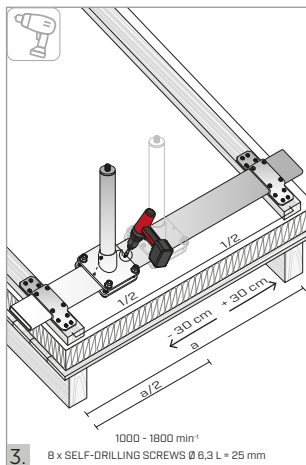
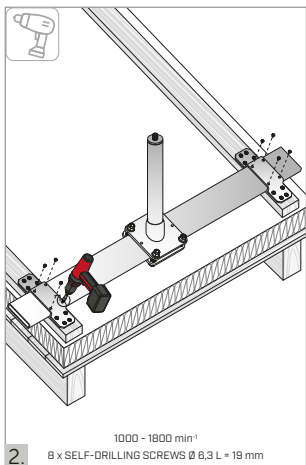
Nm



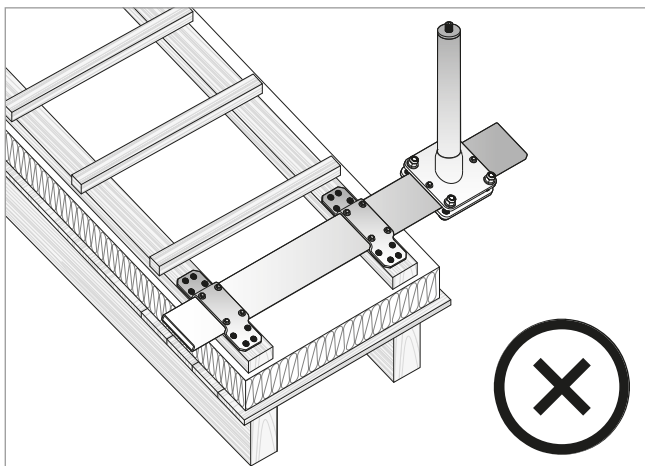
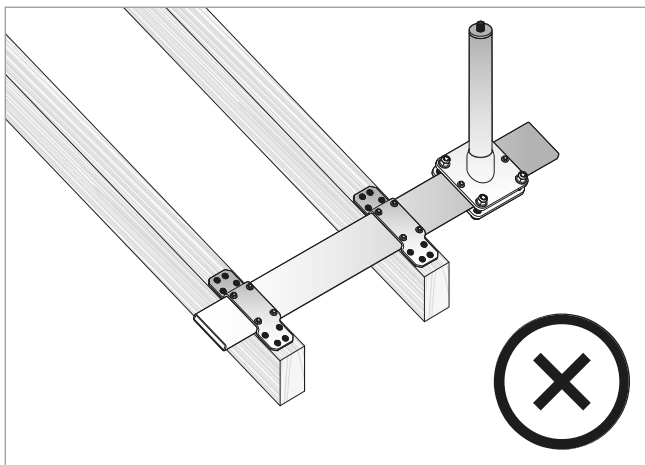
HBS 8 x L mm



$$\begin{array}{l}
 d_1 = 8 \text{ mm} \\
 h_1 \geq 100 \text{ mm} \\
 b \geq 100 \text{ mm}
 \end{array}
 \left|
 \begin{array}{l}
 h_{pd,min} \geq 80 \text{ mm} \\
 h_1 \geq h_{pd,min}
 \end{array}
 \right.$$









## Rotho Blaas Srl

03-23

Via dell'Adige N.2/1 | 39040, Cortaccia (BZ) | Italia  
Tel: +39 0471 81 84 00 | Fax: +39 0471 81 84 84  
info@rothoblaas.com | www.rothoblaas.com

